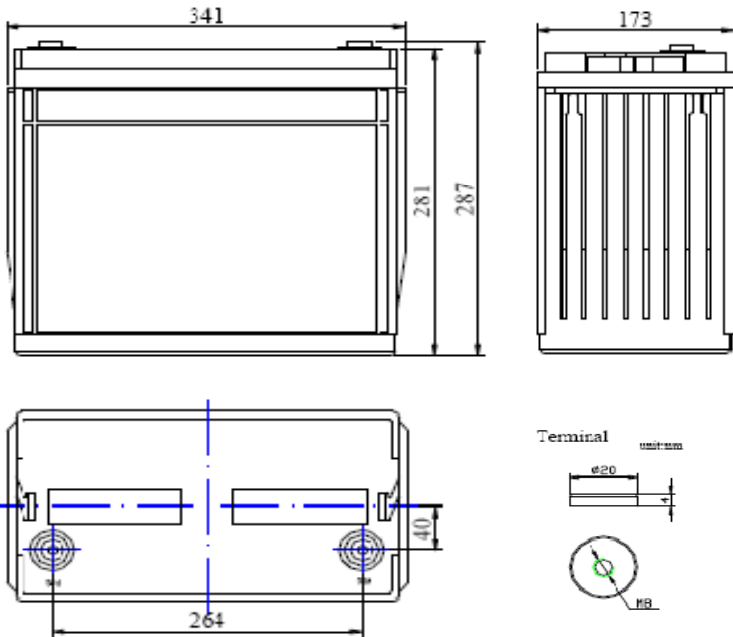
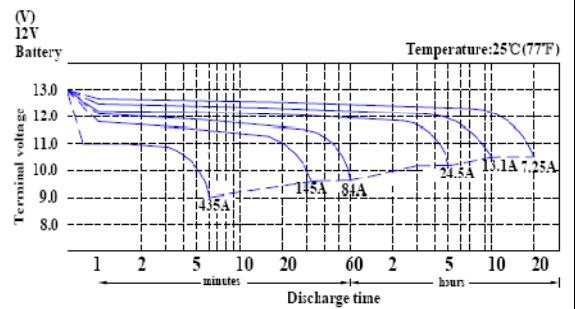


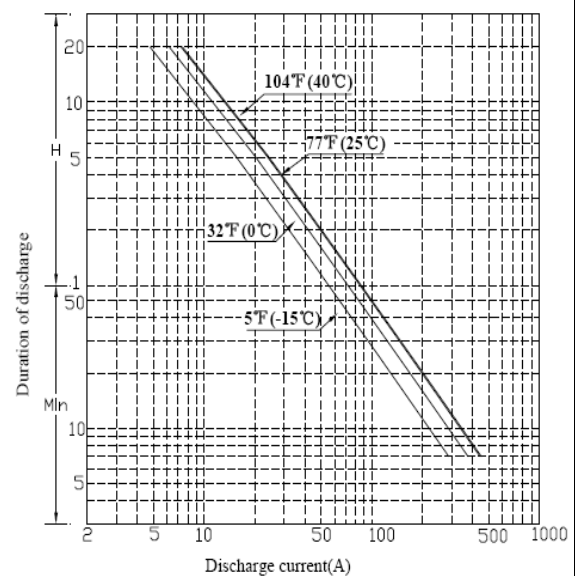
**DEEP CYCLE BATTERIES**



**Discharge characteristics 25°C (77°F)**



**Duration of discharge vs. Discharge current**



**Specification**

Nominal Voltage	12 V	
Nominal Capacity (20 Hr)	145 Ah	
Dimension	Length	341±1 mm (13,43 inches)
	Width	173±1 mm (6,81 inches)
	Container Height	281±1 mm (11,06 inches)
	Total Height (with terminal)	287±1 mm (11,30 inches)
Approx Weight	Approx 44,3 kg (97,46 lbs)	
Terminal	M8	
Container Material	ABS	
Rated Capacity	145 Ah	20 hr (7,25 A to 10,5 V)
	131 Ah	10 hr (13,1 A to 10,5 V)
	122 Ah	5 hr (24,5 A to 10,2 V)
Max Discharge Current	1.400 A (5 s)	
Internal Resistance	Approx 3,6 mΩ	
Operating Temperat. Range	Discharge	-15÷50°C (5÷122°F)
	Charge	0÷40°C (32÷104°F)
	Storage	-15÷40°C (5÷104°F)
Nominal Operating Temp. Range	25±3°C (77±5°F)	
Cycle Use	Initial Charging Current less than 27 A or smaller 14,5÷14,9V at 25°C (77°F) Temperature Coefficient -30mV/°C	
Standby Use	No limit on Initial Charging Current Voltage 13,6÷13,8 V at 25°C (77°F) Temperature Coefficient -20mV/°C	
Capacity affected by Temperature	40°C (104°F)	102%
	25°C (77°F)	100%
	0°C (32°F)	85%
Self Discharge	DC series batteries may be stored for up to 6 months at 25°C (77°F) and then a freshening charge is required. For higher temperatures the time interval will be shorter.	
	Capacity after 3 month storage : 91%	
	Capacity after 6 month storage : 82%	
	Capacity after 12 month storage : 64%	

**Constant Current Discharge Rating Amperes @ 25°C (77°F)**

Cut off voltage V/cell	15 min	30 min	45 min	1 hr	2 hr	3 hr	5 hr	8 hr	10 hr	12 hr	20 hr	24 hr
1,75 V	193,0	135,30	99,90	82,40	43,70	32,90	23,00	15,80	13,10	11,10	7,25	6,10